

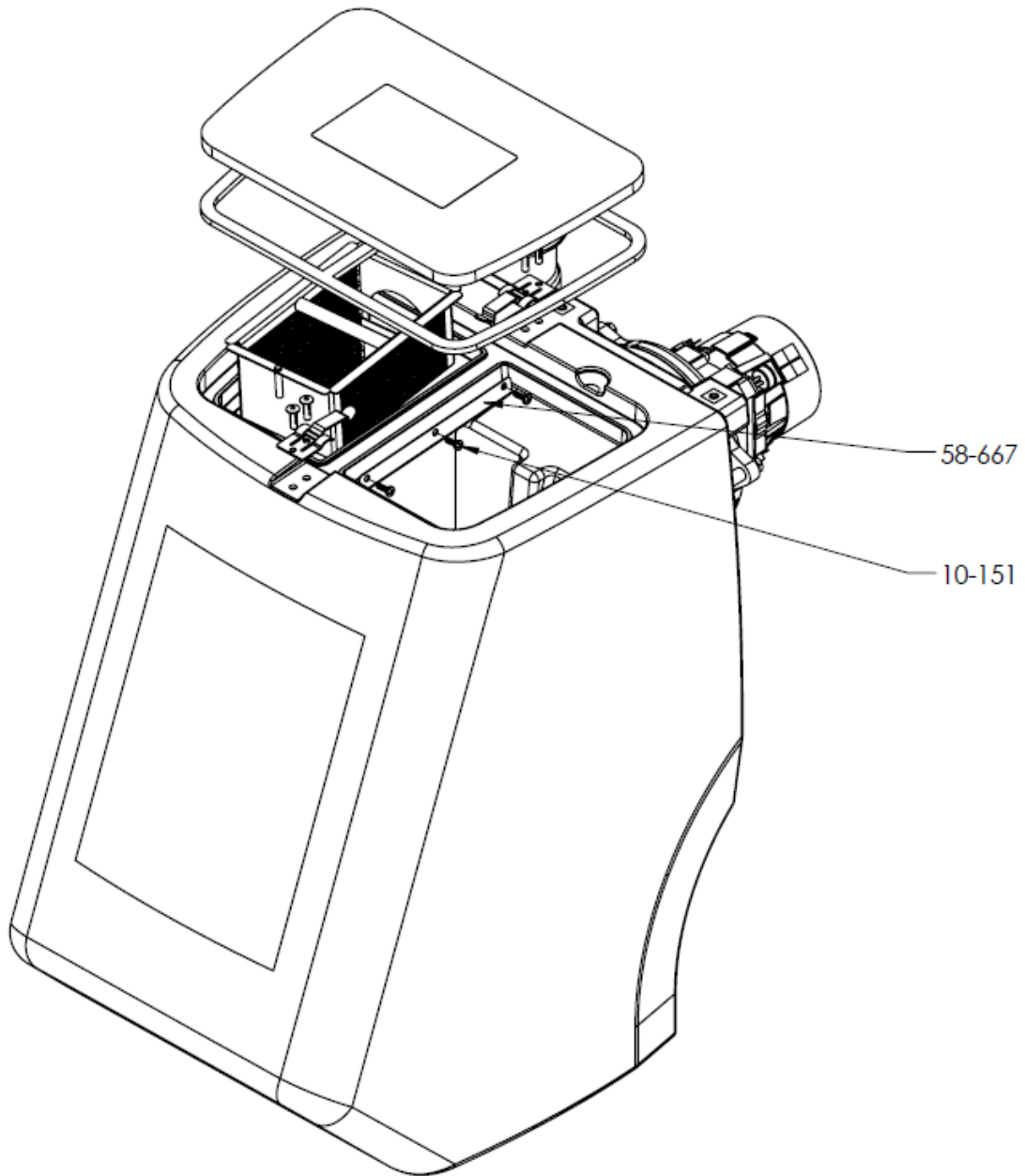
VersaTile™ VT1200 Carpet and Upholstery Cleaner

PARTS LIST

LEGEND BRANDS, INC.

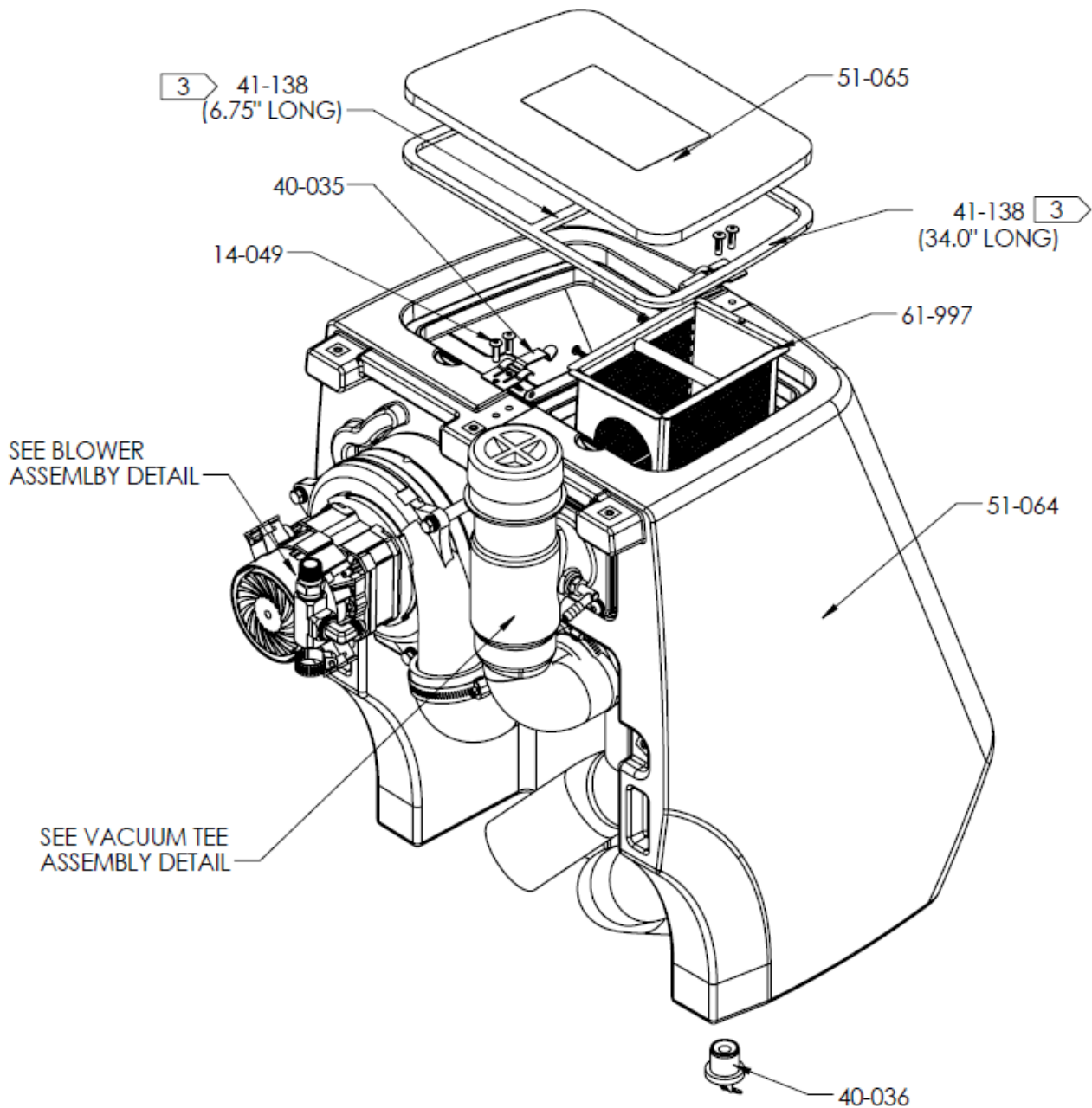
15180 Josh Wilson Road ■ Burlington, WA 98233
800-932-3030 ■ <http://VersaCleanSystems.com>

Patents: <http://www.LBpatents.com>



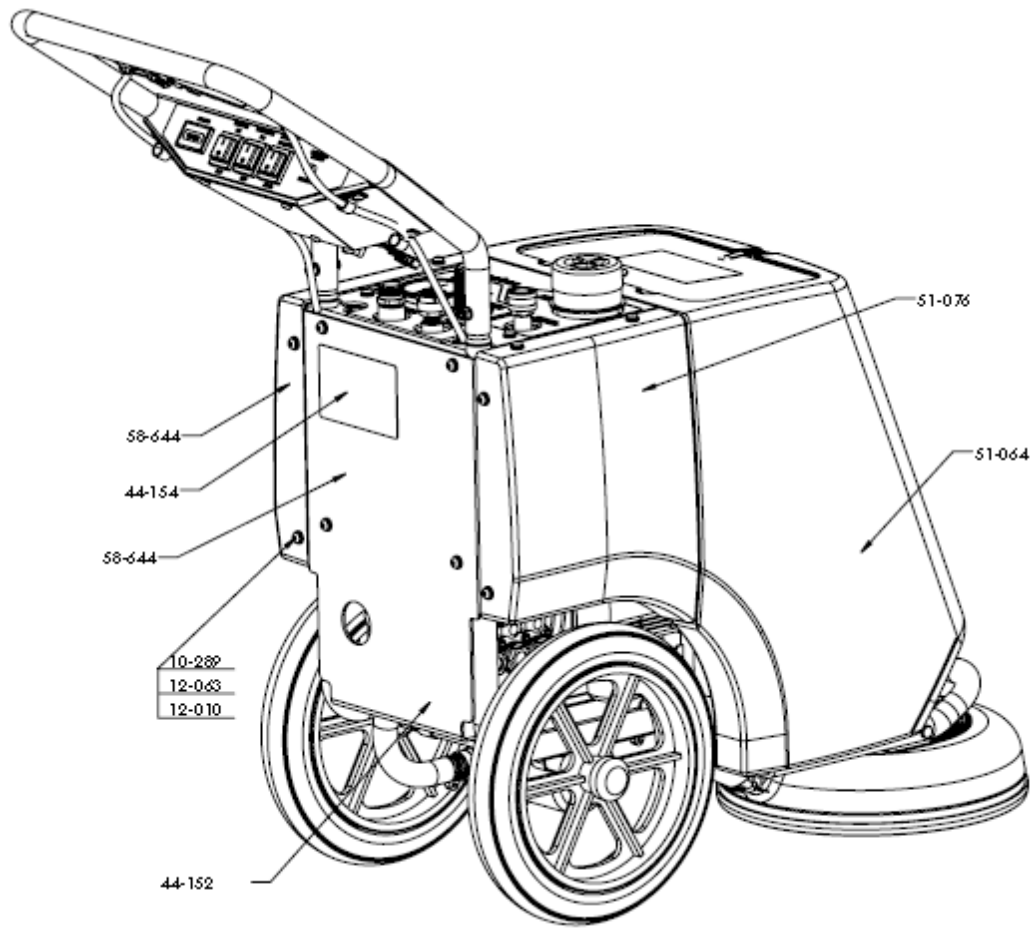
67-039, TANK ASSEMBLY DETAIL VT1200 (FRONT)

PART NO.	QTY	DESCRIPTION
10-151	3	SCREW, #6 X 1-2 AB PHP SS (BEHIND KNOB)
60-1861	1	PANEL, VACUUM INLET BAFFLE



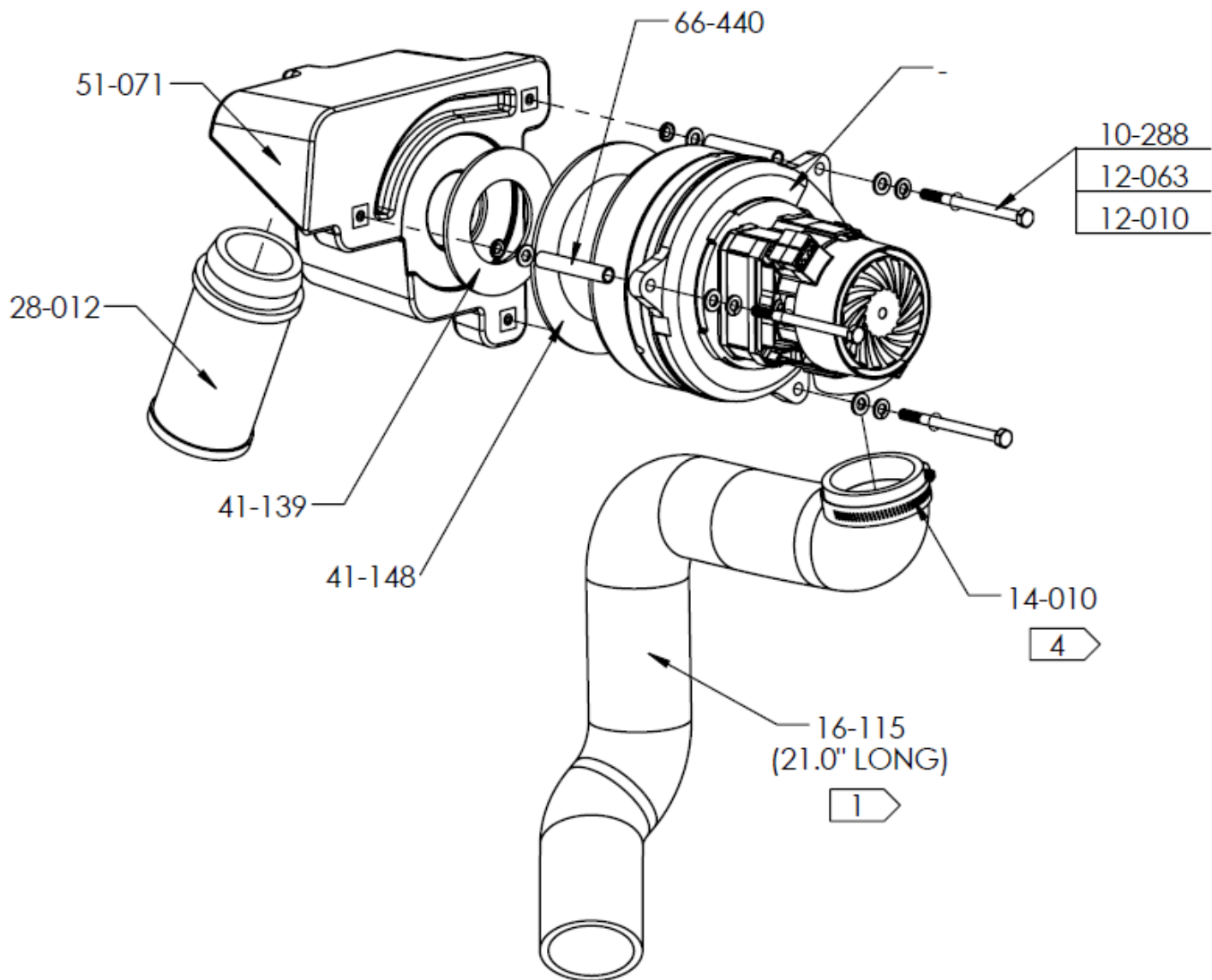
67-039, TANK ASSEMBLY DETAIL VT1200 (BACK)

PART NO.	QTY	DESCRIPTION
14-049	4	RIVET – 3/16 X 5/8 TRI FOLD AL/AL
40-035	2	LATCH, PANEL HOLD DOWN
40-036	1	PLUG, DRAIN 7/8 IN
41-138	1	GASKET, VACUUM TANK COVER 6.75 IN LONG
41-138	1	GASKET, VACUUM TANK COVER 34 IN LONG
51-064	1	ROTOMOLD, VACUUM TANK VT1200
51-065	1	COVER, VACUUM TANK COVER CLEAR ACRYLIC VT1200



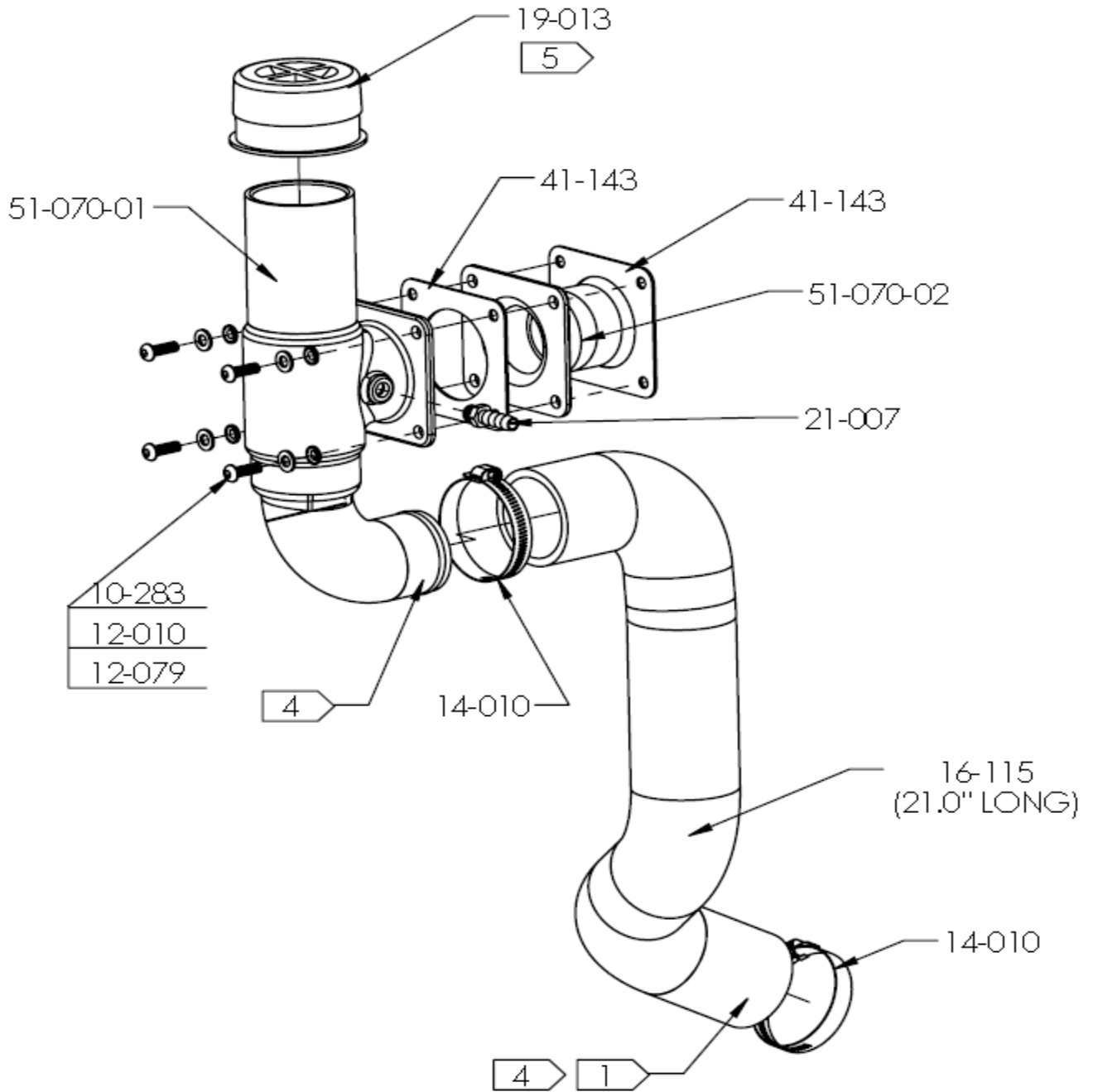
67-039 PANEL COVERS VT1200 (RIGHT SIDE & BACK VIEW)

PART NO.	QTY	DESCRIPTION
10-289	8	SCREW, MACH M6- 1.0 X 12 MM BHSCS ZP
12-010	8	WASHER, FLAT M6 ZP
16-063	8	WASHER, LOCK M6 ZP
44-152	1	DECAL, SERIAL VERSACLEAN
44-154	1	DECAL, WARNING
51-064	1	ROTOMOLD, VACUUM TANK VT1200
51-076	1	THERMOFORM, REAR COVER RS
58-644	1	PANEL, REAR PUMP GUARD



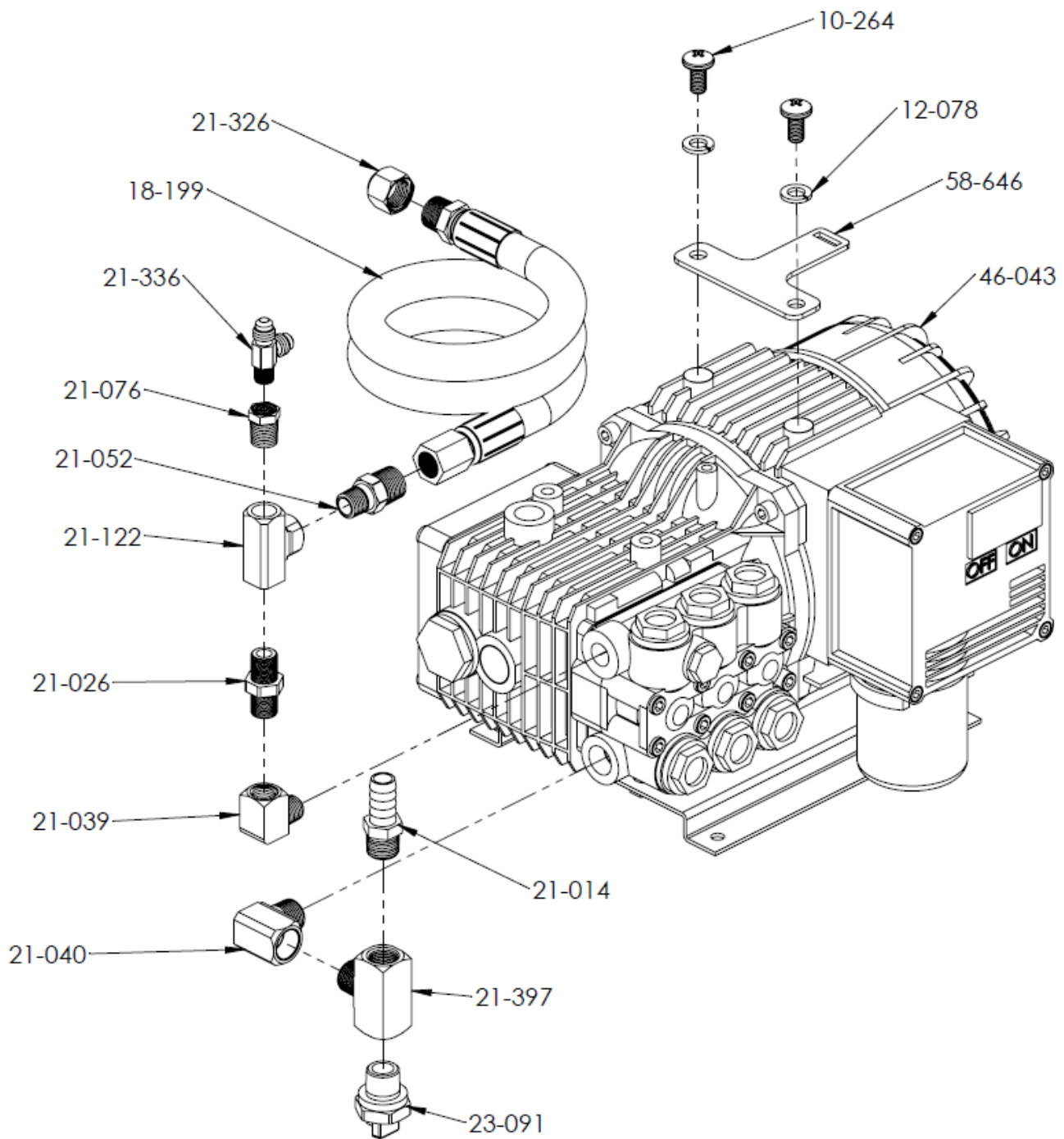
67-036, BLOWER ASSEMBLY DETAIL VT1200

PART NO.	QTY	DESCRIPTION
10-288	3	BOLT, MACH M8 – 1.0 X 85 MM HEXHD ZP
12-063	3	WASHER, LOCK M6 ZP
12-010	3	WASHER, FLAT M6 ZP
14-010	1	CLAMP, HOSE #32 SS
16-115	1	HOSE, VACUUM INLET 21 IN LONG
28-012	1	FLOAT, SHUT OFF
41-139	1	GASKET, BLOWER ASSY W/PSA
41-148	1	GASKET, BLOWER ASSY W/PSA
45-042	1	BLOWER ASSY 120V 1350W 1SP 2 STAGE
51-071	1	ROTOMOLD, VACUUM CHANNEL VT1200
66-440	3	SPACER, BLOWER MOUNTING



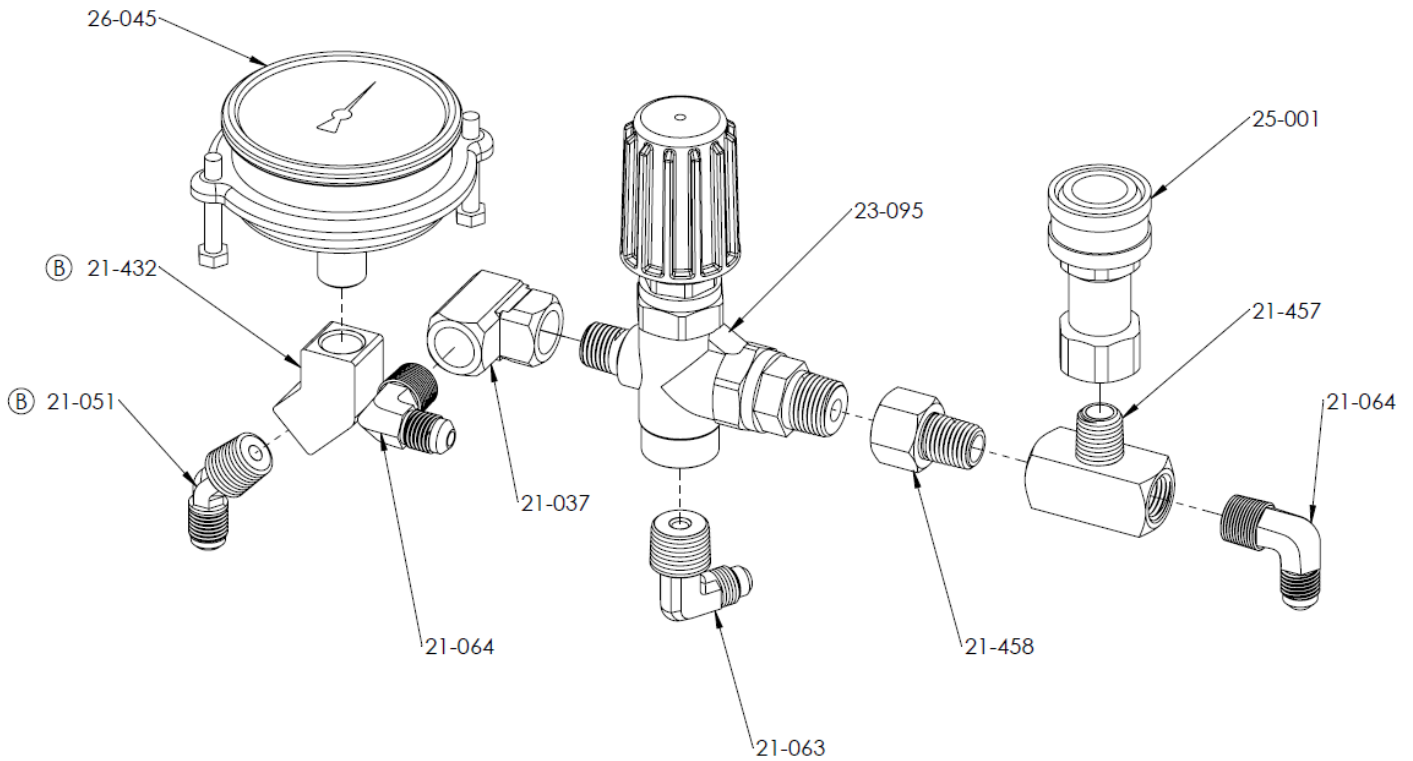
67-039, VACUUM TEE ASSEMBLY DETAIL VT1200

PART NO.	QTY	DESCRIPTION
10-283	4	SCREW, MACH M6- 1.0 X 20MM HEXHD ZP
12-010	4	WASHER, FLAT M6 ZP
12-079	4	WASHER, SEALING M6
14-010	2	CLAMP, HOSE #32 SS
16-115	1	HOSE, VACUUM INLET 21 IN LONG
19-013	1	CAP, 2-1/2 IN RUBBER
21-007	1	FFTG, BRB 1/8 P X 5/16 H BR
41-143	2	GASKET, VACUUM INLET
51-070-01	1	ROTOMOLD, VACUUM INLET TEE
51-070-02	1	ROTOMOLD, VACUUM INLET TUBE



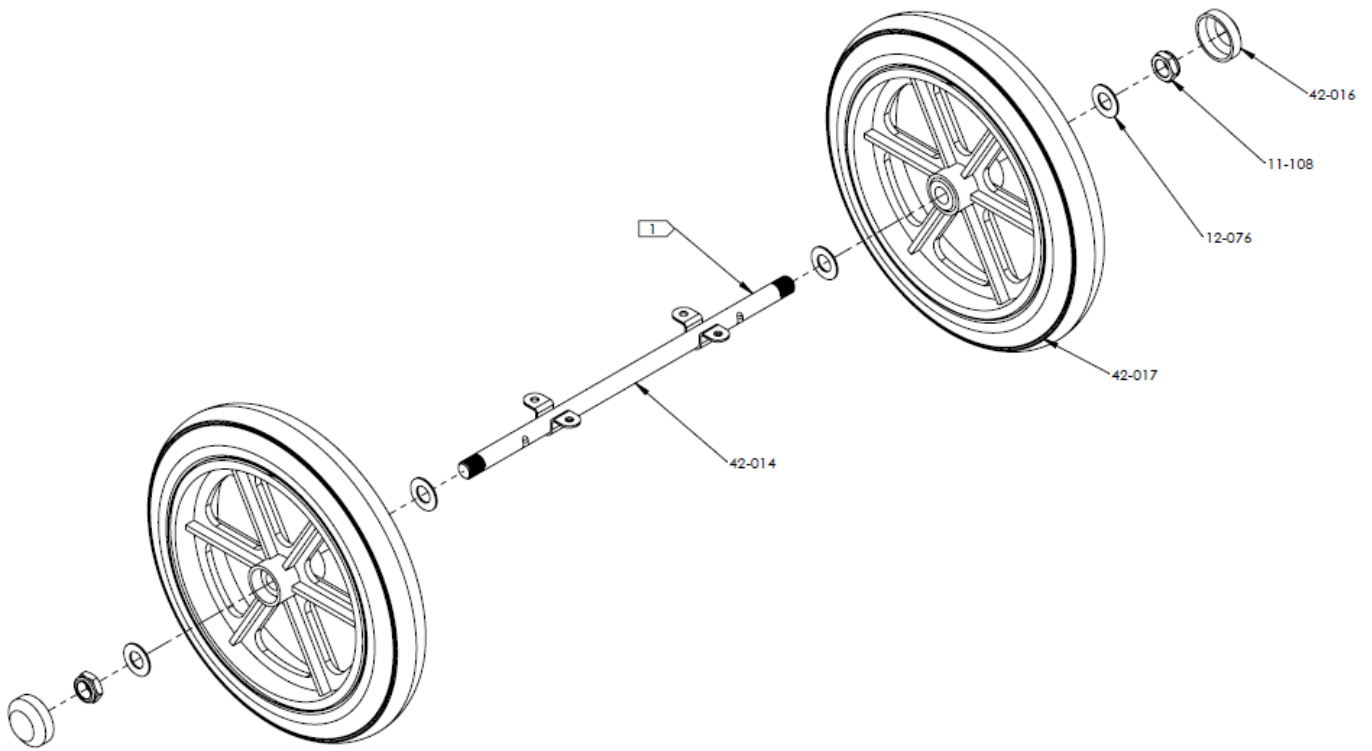
69-507, ASSY, WATER PUMP VT1200

69-507, ASSY, WATER PUMP VT1200		
PART NO.	QTY	DESCRIPTION
10-264	2	SCREW, MACH M8-1.25 X 16 MM PHP ZP
12-078	2	LKWSR, M8 ZINC
18-199	1	HOSE, PULSE, 3/8" X 36"
21-041	1	FTTG, BRB 3/8 P X 1/2 H BRASS
21-026	1	NIP, 1/4 HEX BRASS
21-039	1	ELL, 1/4 IN STREET BRASS
21-040	1	ELL, STREET 3/8 IN. BRASS
21-052	1	NIP, 3/8 X 1/4 HEX BRASS
21-076	1	BUSHING, 1/4 M X 1/8 F BRASS
21-122	1	TEE, 1/4 IN BRASS
21-326	1	CAP, 3/8 NPT BRASS
21-336	1	TEE, RUN 1/8 NPT X 1/4 JIC X 1/4 JIC BRASS
21-197	1	TEE, MALE BRANCH 3/8 NPT BRASS
23-091	1	PUMP THERMAL PROTECTOR 3/8 NPT
46-043	1	PUMP, WATER GP
58-646	1	PLATE, PUMP FAN GUARD SUPPORT



69-511, ASSY, PRESSURE REGULATOR VT1200

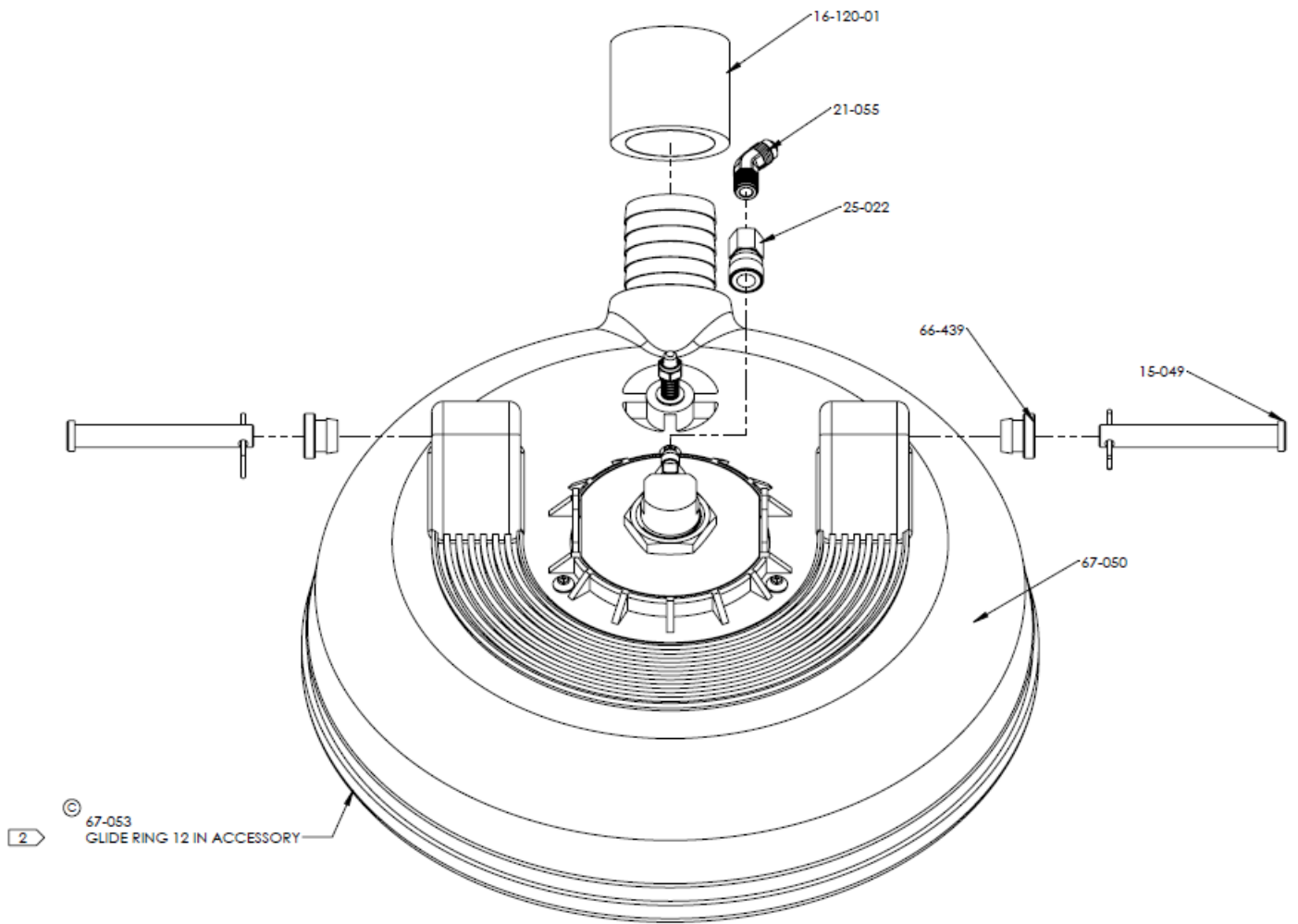
PART NO.	QTY	DESCRIPTION
21-037	1	ELL, 1/4 IN. BRASS
21-051	1	ELL, 1/4P X 1/4T 45 DEG BRASS
21-063	1	ELL, 3/8 P X 1/4 T BRASS
21-064	2	ELL, 1/4 P X 1/4 T BRASS
21-432	1	ELL, 1/4 FP X 45 DEG BRASS
21-457	1	TEE, 1/4 FP X 1/4 MP X 1/4 FP BRASS
21-458	1	ADAPTOR, 3/8 FP X 1/4 MP BRASS
23-095	1	UNLOADER, VB3 W/KNOB
25-001	1	DSC, 1/4F X 1/4FP BRASS
26-045	1	GAUGE, PRESSURE 2.5 IN 0-1500 PSI



69-513, ASSY, WHEEL & AXLE

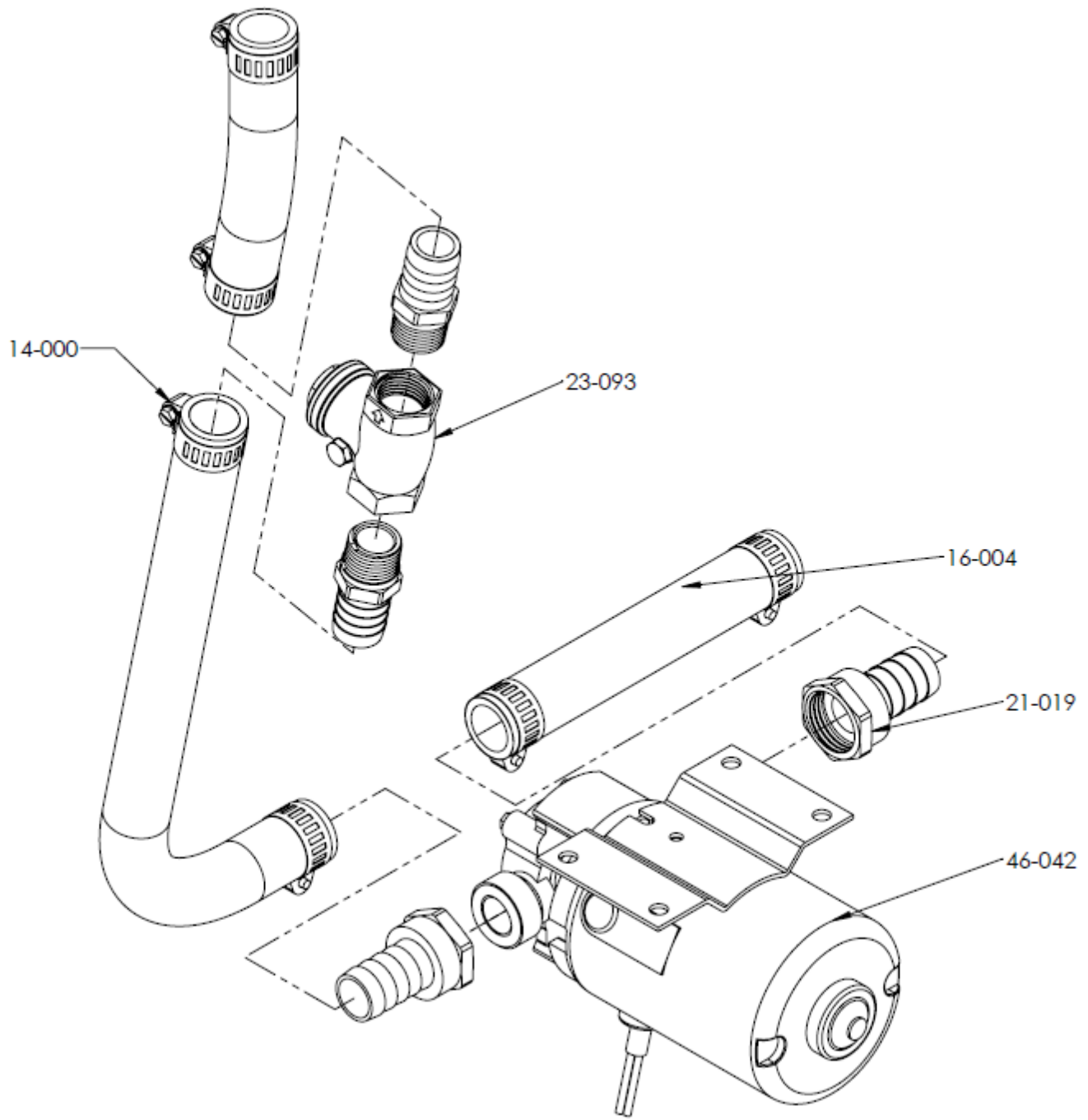
VC700, VT1200

PART NO.	QTY	DESCRIPTION
11-108	2	NUT, 5/8-11 UNC THIN NYLOC ZP
12-076	4	WASHER, 5/8 AN .63 ID X 1.187 OD X .06 SS
42-014	1	AXLE, 5/8 DIA PLATED STEEL
42-016	2	DUST CAP, 12" OD WHEEL NYLON BLK
42-017	2	WHEEL, 12 X 2 X 5/8 BORE GRAY



69-514, ASSY, SPINNER HEAD VT1200

PART NO.	QTY	DESCRIPTION
15-049	2	PIN, CLEVIS W/ REUSABLE COTTER
16-120-01	1	HOSE, HEAD OUTLET SPACER
21-055	1	ELL, 1-8 P X 1/4 T 45 DEG BRASS
25-022	1	DSC, 1/8 SOCKET X 1/8FP BR
66-439	2	BUSHING, SPINNER HEAD
67-050	1	HEAD, 12IN TURBO-HYBRID, BLACK



69-524, ASSY, PUMP OUT VT1200

PART NO.	QTY	DESCRIPTION
14-000	6	CLAMP, HOSE, #12 X .50 SS
16-004	1	HOSE, WTR 3/4 IN HRZ 500 FT BULK
21-019	2	CONN, GRND HOS 3/4 H X 3/4 BRB BR
21-032	2	FTTG, BRB 1/2 P X 3/4 H BRASS
23-093	1	VALVE, CHECK 1/2 CHECK 1/2 NPT
46-042	1	PUMP, PONY SERIES MODEL 370